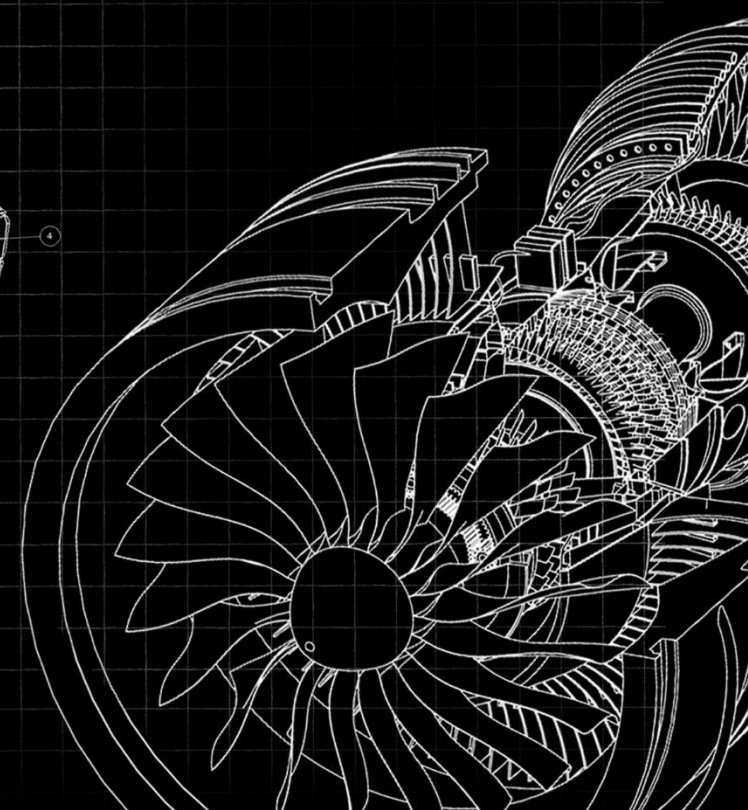
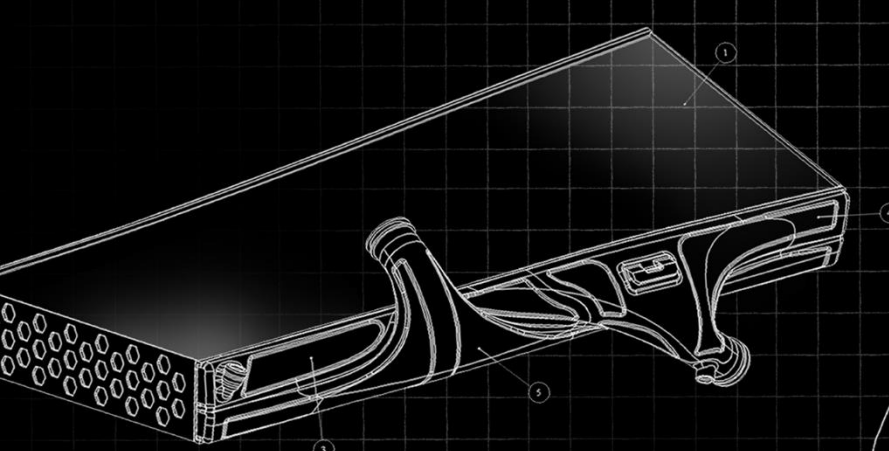
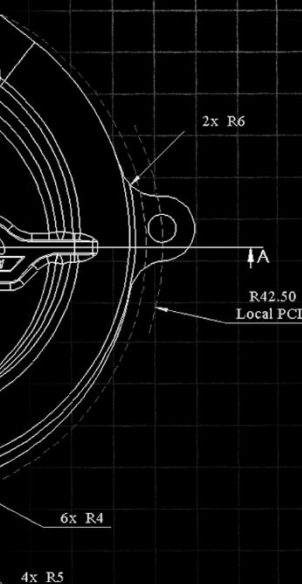
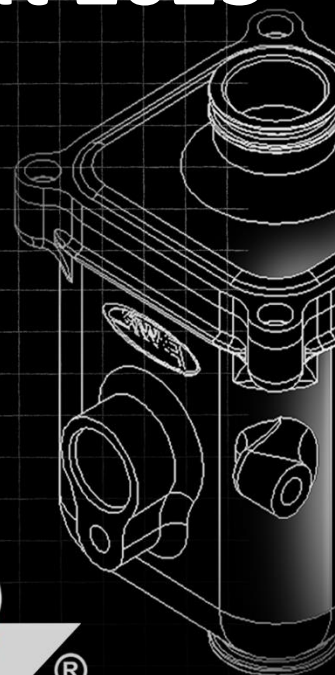
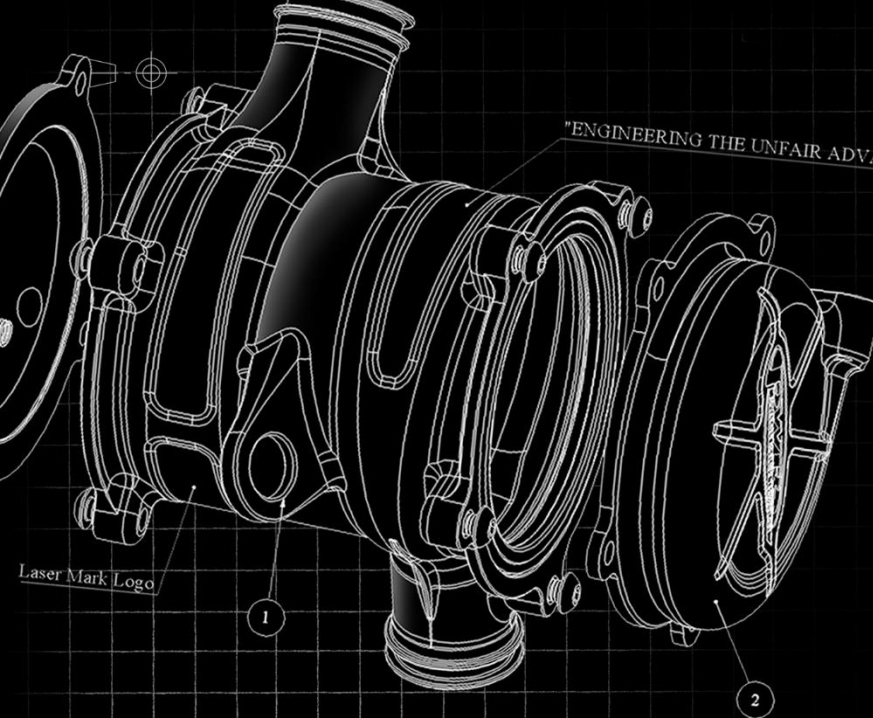


"ENGINEERING THE UNFAIR ADVANTAGE"

Modern Slavery Statement 2023



Introduction

This Modern Slavery Statement (“**Statement**”) sets out the actions taken by PWR Holdings Limited (ABN 85 105 326 850) and its subsidiaries (together “**PWR**”) to address modern slavery risks in our business and supply chains. The Statement has been prepared in accordance with the Australian *Modern Slavery Act 2018 (Cth)* and the United Kingdom *Modern Slavery Act 2015 (UK)*.

This is the third Statement made by PWR and relates to the year ending 30 June 2023.

PWR opposes modern slavery in all its forms, including human trafficking, slavery, servitude, forced labour, debt bondage, forced marriage and child labour. We recognise the role of business in understanding, addressing and mitigating modern slavery risks, and are committed to working with our employees, suppliers and contractors to identify and address modern slavery risks.

Lodgment

Under the Australian *Modern Slavery Act 2018 (Cth)* companies are required to lodge their Modern Slavery Statement when group revenue is A\$100 million or greater. PWR exceeded the reporting threshold for the financial year ended 30 June 2022 and remains above the reporting threshold for the year ended 30 June 2023. PWR has lodged this Statement as required under the Australian legislation.

Under the *Modern Slavery Act 2015 (UK)* companies are required to lodge their Modern Slavery Statement when group revenue is GBP36 million or greater. PWR exceeded the reporting threshold for the financial year ended 30 June 2021 and remains above the reporting threshold for the year ended 30 June 2023. PWR has lodged this Statement as required by the UK legislation.

The Statement has been published on the PWR website (www.pwr.com.au/investors/corporate-governance).

Structure, operations and supply chains

PWR is a global designer, manufacturer and supplier of technically advanced high performance cooling solutions, investing in research and development to provide solutions to our customers using advanced cooling technology. We adopt a flexible manufacturing approach and take pride in supporting our customers through a truly unique system of technical partnership.

PWR Holdings Limited is the parent entity, headquartered in Ormeau, Queensland, Australia, and listed on the Australian Stock Exchange (ASX:PWHL). This Statement is on behalf of PWR Holdings Limited and the following wholly owned subsidiaries:

- P.W.R Performance Products Pty Ltd (Australia)
- PWR IP Pty Ltd (Australia)
- PWR Europe Limited (United Kingdom)
- C&R Racing, Incorporated (United States of America)
- PWR EU B.V. (Netherlands)

PWR manufacturing and distribution facilities are located in Ormeau (Australia), Rugby (United Kingdom) and Indianapolis (United States of America). PWR sources raw materials, components and services from a wide range of suppliers across multiple countries.

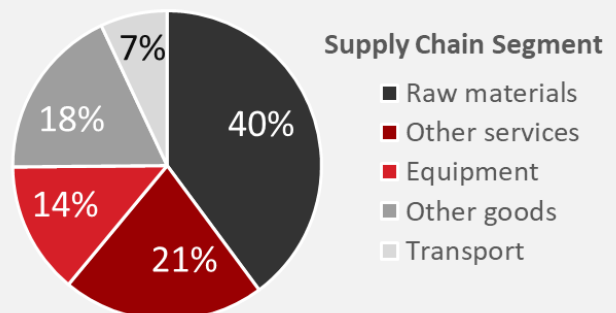
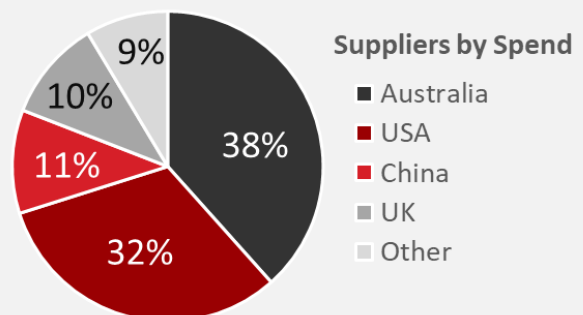
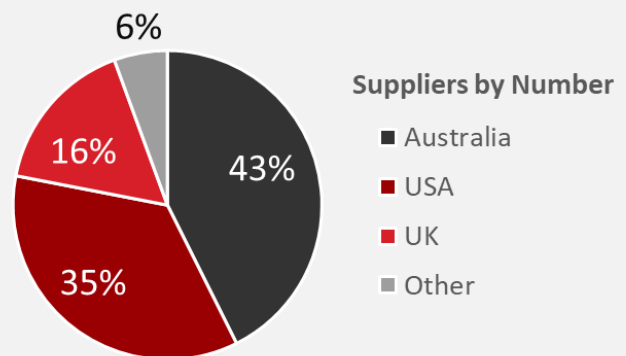
The PWR supply chain consists of 1,253 suppliers across 21 countries for a total spend of A\$52.5m. The majority of the suppliers by number and spend are located in Australia and the United States of America.

Our supply chain can be divided into the following segments:

- **Raw materials** – predominately aluminium billet, coil, plant and extruded tubing
- **Equipment** – machinery utilised in the manufacturing processes
- **Transport** – road, air and sea freight for inward movement of supplies and dispatch of finished goods
- **Other Services** – including IT services, maintenance services, and professional services
- **Other Goods** – including uniforms, manufacturing consumables, and utilities.

FY23 Supply Chain

1,253 suppliers
21 countries
A\$52.5m spend



Risks of modern slavery practices in our operations and supply chains

In our operations

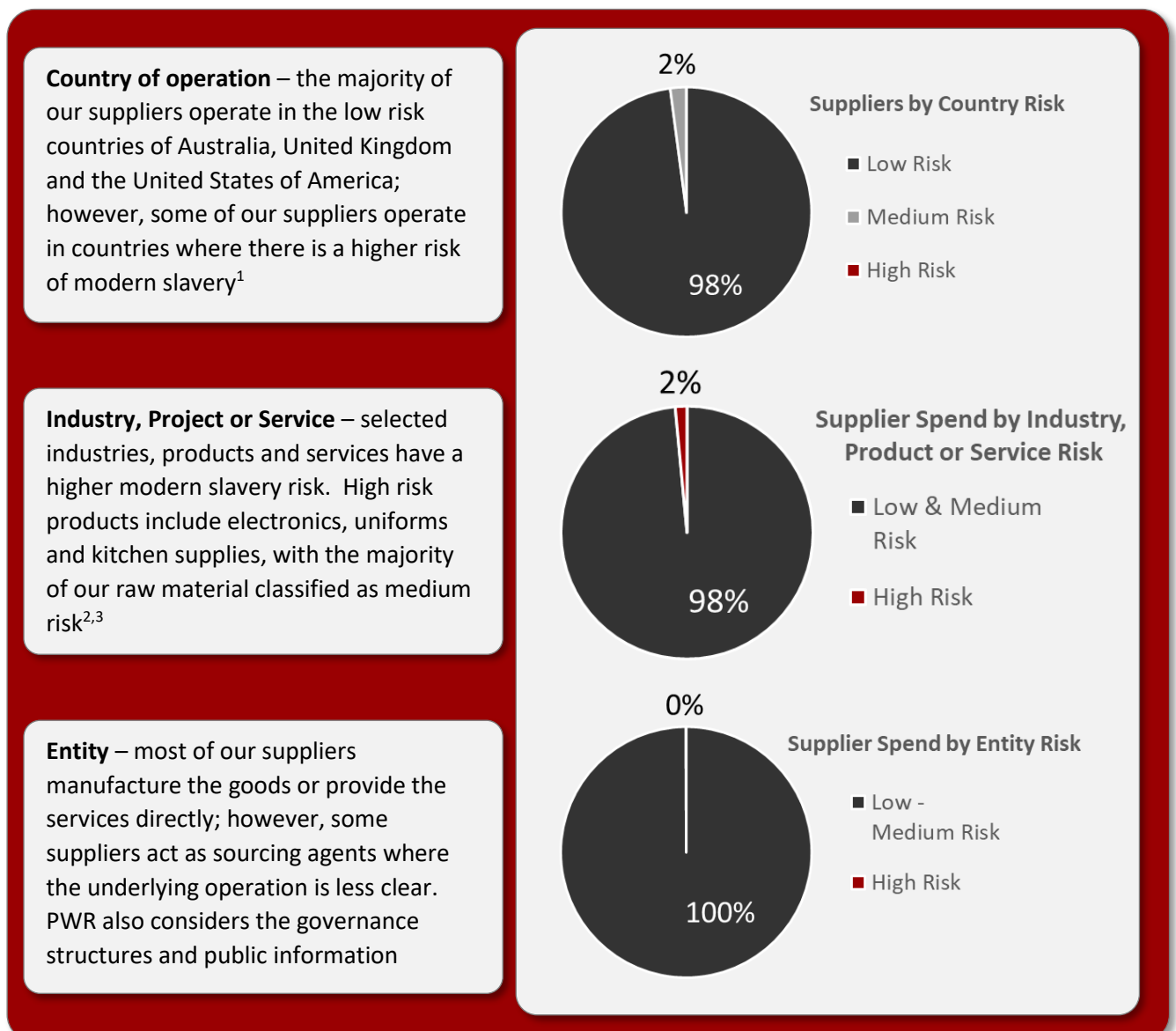
We consider that modern slavery risk in our operation to be low due to the following:

- PWR operates in Australia, United Kingdom, and the United States of America, all of which are ranked low in the country Global Slavery Index
- PWR employees are covered by modern awards or individual employment contracts that set the minimum pay and conditions
- PWR maintains transparent operations supported by its governance framework and policies including its Whistleblower Policy to encourage employees to raise concerns.

As at the date of this Statement, no reports of modern slavery have been received.

In our supply chains

PWR has less visibility into the operations of our suppliers and contractors. To identify potential modern slavery risks in our supply chains, and to focus our actions, we have undertaken a risk assessment of our existing and new suppliers taking into account the following:



¹ Global Slavery Index 2018 – Table 14 – Vulnerability to Modern Slavery by Country

² Global Slavery Index 2018 – Appendix 3 – List of products at risk

³ Australian Border Force Modern Slavery Infographic

Actions taken to assess and address these risks including due diligence and remediation processes

Due Diligence – PWR has adopted a risk based approach to modern slavery due diligence. This includes imbedding the modern slavery risk assessment as part of a new supplier evaluation.

Based on the results of our supplier risk assessments, we identify suppliers with a higher risk for modern slavery. Further due diligence is undertaken to assess the modern slavery risks, including engaging directly with the high risk suppliers to better understand their structure and sourcing practices, together with their approach to managing modern slavery risk. If the modern slavery risk remains high after engaging with a supplier, we will remove the supplier from the approved supplier list and cease future trade.

Policies – We have implemented a Modern Slavery Policy and integrated the modern slavery requirements into corporate policies and purchasing documentation including:

- Purchasing Policy
- Whistleblower Policy
- Code of Conduct
- Standard Terms and Conditions of Purchasing.

Training – the executive leadership team and procurement teams have undertaken Modern Slavery Awareness training.

Remediation Processes – any modern slavery incidents or breaches will be managed through the existing incident reporting, investigation and corrective action processes. As at the date of this Statement, no incidents or breaches have been reported.

Actions – below is an update on completed and proposed actions to further embed the modern slavery risk management into PWR’s governance framework and systems.

2023 Actions	Status
Expand modern slavery awareness training to roles that support procurement	Implemented
Ongoing assessment to prequalify new suppliers and monitoring of existing suppliers that may include review of risk assessments, audits, investigations and support to mediate identified non conformances	Ongoing Ceased trading with one supplier who was assessed as high risk and did not wish to engage with PWR on addressing the risks
Continue to review and update policies and procedures as required to support the management of modern slavery risks as part of our Risk Management Framework	Ongoing

2024 Proposed Actions include:

- Continue modern slavery awareness training for roles that support procurement
- Ongoing assessment to prequalify new suppliers and monitoring of existing suppliers that may include review of risk assessments, audits, investigations and support to mediate identified non conformances
- Continue to review and update policies and procedures as required to support the management of modern slavery risks as part of our Risk Management Framework.

Review the effectiveness of our actions

Update Risk Assessment – The risk assessment for existing suppliers will be updated as new information becomes available. As we engage with suppliers to improve our understanding of the supply chain, we anticipate the risk rating for selected suppliers may reduce.

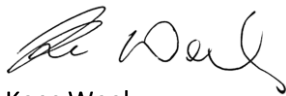
Audit, Risk and Sustainability Committee – The effectiveness of managing modern slavery risks, including progress for implementing actions and responses to any reports of modern slavery concerns, will be reported to PWR's Audit, Risk and Sustainability Committee.

Consultation and approval processes

The executive leadership team, including senior leaders responsible for all PWR entities have been consulted in the preparation of this Statement and the associated actions. The executive leadership and their teams will continue to be consulted regarding identified risks and involved in the implementation of further actions, including any investigations and remediation actions.

PWR is strongly committed to upholding all human rights and employees' rights, and fully supports both the Australian and United Kingdom Governments in their efforts to eliminate modern slavery. We expect our suppliers, contractors and other stakeholders to join us in our approach.

This Statement has been approved by the Board of PWR Holdings Limited.



Kees Weel
Managing Director
PWR Holdings Limited
23 November 2023

Corporate Directory

PWR HOLDINGS LIMITED

ABN 85 105 326 850

COMPANY SECRETARY

Lisa Dalton

PRINCIPAL REGISTERED OFFICE

PWR Holdings Limited

103 Lahrs Road
Ormeau, 4208
Queensland
Phone: 07 5547 1600
Fax: 07 5547 1666
Email: info@pwr.com.au

POSTAL ADDRESS

PO Box 6425
Yatala QLD 4207

NORTH AMERICA

PWR North America (C&R Racing)

6950 Guion Road
Indianapolis, IN 46268
USA
Phone: +1 317-293-4100
Fax: +1 317-293-4110
Email: info@pwrna.com

EUROPE

PWR Europe

Unit C, Valley Point, Valley Drive
Swift Valley Industrial Estate
Rugby, Warwickshire CV21 1TN
United Kingdom
Enquiries
Phone: +44 (0) 1327 362940
Fax: +44 (0) 1327 362960
Email: sales@pwreurope.com

WEBSITE

www.pwr.com.au

LOCATION OF SHARE REGISTRY

Computershare Investor Services Pty Ltd

Level 1, 200 Mary Street
Brisbane, 4000
Queensland

ASX TICKER CODE:

PWH



PWR EUROPE

PWR Europe Limited
Unit C, Valley Point
Valley Drive Rugby,
Warwickshire, CV21 1TN
United Kingdom

Phone +44 1327 362940
www.pwreurope.com

PWR HEAD OFFICE AUSTRALIA

PWR Holdings Limited
P.W.R. Performance Products Pty Ltd
103 Lahrs Road
Ormeau, Queensland, 4208
Australia

Phone +61 (0)7 5547 1600
www.pwr.com.au

PWR NORTH AMERICA

C&R Racing Inc.
6950 Guion Road
Indianapolis, IN
United States of America

Phone +1 317-293-4100
www.pwrna.com

PWR EUROPE



PWR NORTH AMERICA



PWR AUSTRALIA

